

CHAPTER 22

WOOD AWNING

Product Information

Unit Features	22.2
NFRC Values	22.3
Design Pressure / Minimum and Maximum Values	22.4
Measurement Conversion Values	22.5

Elevations and Sections

Elevations: Operating and Stationary	22.6
Elevations: Picture	22.7
Section Details: Operating and Stationary	22.8
Section Details: Picture	22.9
Section Details: Mullions	22.10
Section Details: Divided Lite Options	22.11
Daylight Opening Conversions	22.12
Elevations: Standard Divided Lite Patterns	22.13
Section Details: Construction	22.16

NOTE:

Specifications and technical data are subject to change without notice.

Allow 1/16" (2) tolerance on all measurements.

Metric measurements are shown in parenthesis.

For accessories dimensions and applications see the Accessories section of this manual.

For technical assistance about Marvin products you may call our Architectural Hotline 1-800-346-3363 or visit our website: www.marvin.com.

WOOD AWNING

UNIT FEATURES

Frame:

- Pine wood interior and exterior standard. Optional mahogany or vertical grain Douglas fir
- Frame width: 4 9/16" (116)
- Subsill: 15/16" (24)
- Frame thickness: 1 3/16" (30 mm)

Sash:

- Pine wood interior and exterior standard. Optional mahogany or vertical grain Douglas fir
- Sash thickness: 1 3/4" (44 mm)
- Operating/Stationary stile width: 1 29/32" (48)
- Operating/Stationary rail width: 2 5/16" (59)

Interior and exterior finish:

- Treated bare wood or white primed (pine only)

Operating Hardware:

- Operating Hardware: Roto-gear with zinc base, steel drive and gear arms with an ABS operator cover. Corrosion resistant hardware available
- Handles: Die-cast zinc folding handle standard. Color: Satin Taupe. Optional: White, Brass, Satin Chrome, Antique Brass, Bronze, Oil Rubbed Bronze, Satin Nickel
- Locks: Two concealed locks on all units

Weatherstripping:

- Dual bulb and leaf weather strip at frame and sash. Color: Beige

Jamb Extensions:

- Jamb extensions available for various wall thickness factory applied, finish to match interior

Insect Screens:

- Aluminum screen: Full screen standard. Color: Satin Taupe. Optional: Bronze or Stone White. Optional wood screen available
- Screen mesh: 18 by 16 charcoal fiberglass, optional screen mesh: Charcoal aluminum wire, Black aluminum wire, Bright aluminum wire, Bright bronze wire

Removable Interior Grilles:

- Bar: Pine wood, 3/4" (19) or 1 1/8" (29) wide
- Pattern: Rectangular, custom lite layouts available, contact your Marvin representative

Simulated Divided Lite (SDL):

- Interior / Exterior bars: 7/8" (22) or 1 1/8" (29) wide bars. Pine wood standard, optional mahogany or vertical grain Douglas fir. Finish to match interior and exterior
- Pattern: Rectangular, custom lite layouts available, contact your Marvin representative
- Installation method: Factory applied with acrylic foam tape

Grilles-between-the-glass (GBG):

- 11/16" (17mm) white contoured aluminum bar. Optional flat aluminum spacer bar, contact your Marvin representative

Authentic Divided Lite (ADL):

- Bar (interior and exterior): single glazed 7/8" (22) wide bars, insulated glass 1 11/16" (43) wide bars: available in standard pine and optional mahogany or vertical grain Douglas fir. Finish to match interior and exterior
- Pattern: Rectangular, custom lite layouts available, contact your Marvin representative

Glass and Glazing:

- Glazing method: Insulated or single glazed, single glazed with energy panel. Insulated glass hermetically sealed
- Glazing seal: Silicone glazed
- Glazing type: Clear glass, optional glass types: Low E II with argon, Laminated, Tempered, Obscure, Bronze tint, Gray tint, and Reflective Bronze
- Insulated glass will be altitude adjusted for higher elevations, argon gas not included

Accessories:

- Installation brackets: 6 3/8" (162), 9 3/8" (238), or 15 3/8" (390)
- Masonry brackets: 6" (152) or 10" (254)
- Marvin SillGuard™
- Aluminum drip cap: Color: Bahama Brown, Bronze, Evergreen, Pebble Gray, White. Drip cap not designed to replace proper flashing.
- Wood exterior mouldings: Brick Mould Casing, Flat casing, Mullion cover
- Remote sash operators: 60" (1524), 96" (2438), 132" (3353) Pole crank operator
- Power drive (Electric operator). Motorized system shall replace crank handle on operating windows. Compatible with home automation systems (e.g. Honeywell Totalhome System), kit includes motor drive, transformer, motor control and locks. Power drive operators are not available for unit 28 widths and smaller

Note:

Values shown in parenthesis represent metric equivalents

For product specifications please refer to the CSI Product Specifications, contact your Marvin representative

WOOD AWNING

NFRC VALUES

NFRC Unit Values					
Glazing Type	U-Factor	R-Value	Solar Heat Gain Coefficient	Visible Light Transmittance	Energy Star
Operator / Stationary					
Size Tested	48 x 24	48 x 24	48 x 24	48 x 24	
Single Glaze	0.84	1.19	0.59	0.56	-
Single Glaze with ADL	0.84	1.19	0.50	0.50	-
Single Glaze with EP	0.44	2.27	0.49	0.50	-
Single Glaze with EP and ADL	0.44	2.27	0.45	0.45	-
Single Glaze with Low E EP	0.34	2.94	0.42	0.46	N, NC
Single Glaze with Low E EP and ADL	0.35	2.86	0.38	0.42	N, NC, SC, S
Insulating glass	0.44	2.27	0.49	0.50	-
Insulating glass - SDL with spacer bars	0.44	2.27	0.45	0.45	-
Insulating Low E II glass	0.33	3.03	0.27	0.48	N, NC, SC, S
Insulating Low E II glass - SDL with spacer bars	0.33	3.03	0.25	0.40	N, NC, SC, S
Insulating Low E II glass - Argon	0.30	3.33	0.27	0.44	N, NC, SC, S
Insulating Low E II glass - Argon, SDL with spacer bars	0.30	3.33	0.25	0.40	N, NC, SC, S
Picture 3/4" IG					
Size Tested	48 x 48	48 x 48	48 x 48	48 x 48	
Single Glaze	0.94	1.04	0.66	0.68	-
Single Glaze with ADL	0.93	1.05	0.59	0.61	-
Single Glaze with EP	0.46	2.17	0.58	0.61	-
Single Glaze with EP and ADL	0.46	2.17	0.53	0.55	-
Single Glaze with Low E EP	0.35	2.86	0.50	0.56	N, NC
Single Glaze with Low E EP and ADL	0.36	2.78	0.45	0.50	NC
Insulating glass	0.46	2.17	0.55	0.61	-
Insulating glass - SDL with spacer bars	0.46	2.17	0.53	0.55	-
Insulating Low E II glass	0.32	3.13	0.32	0.54	N, NC, SC, S
Insulating Low E II glass - SDL with spacer bars	0.33	3.03	0.29	0.48	N, NC, SC, S
Insulating Low E II glass - Argon	0.28	3.57	0.32	0.54	N, NC, SC, S
Insulating Low E II glass - Argon, SDL with spacer bars	0.29	3.45	0.29	0.48	N, NC, SC, S
Picture 1" IG					
Size Tested	48 x 48	48 x 48	48 x 48	48 x 48	
Single Glaze	0.94	1.04	0.66	0.68	-
Single Glaze with ADL	0.93	1.05	0.59	0.61	-
Single Glaze with EP	0.46	2.17	0.58	0.61	-
Single Glaze with EP and ADL	0.46	2.17	0.53	0.55	-
Single Glaze with Low E EP	0.35	2.86	0.50	0.56	N, NC
Single Glaze with Low E EP and ADL	0.36	2.78	0.45	0.50	NC
Insulating glass	0.45	2.22	0.58	0.61	-
Insulating glass - SDL with spacer bars	0.46	2.16	0.58	0.61	-
Insulating Low E II glass	0.32	3.13	0.26	0.43	N, NC, SC, S
Insulating Low E II glass - SDL with spacer bars	0.33	3.03	0.32	0.54	N, NC, SC, S
Insulating Low E II glass - Argon	0.28	3.57	0.26	0.43	N, NC, SC, S
Insulating Low E II glass - Argon, SDL with spacer bars	0.29	3.45	0.32	0.54	N, NC, SC, S

NOTE:

Product Values are determined using the National Fenestration Rating Council (NFRC) Procedures for determining fenestration product values.

U-Value: (Btu/hr-sq ft-°F) Lower the U-Value, the greater the resistance to heat flow and better its insulating value.

R-Value: (1/U-Value) Higher the R-Value, the greater the resistance to heat flow and better its insulating value.

Visible Light Transmittance (VLT): Percentage of visible light transmitted through the unit.

Solar Heat Gain Coefficient (SHGC): The lower a window's SHGC, the less solar heat it transmits, and the greater its shading ability.

Capillary tubes are required for IG units at high elevations. Argon will not be furnished in units with capillary tubes.

Contact the Architectural Department Hotline at (800-346-3363) for additional NFRC Unit Values.

WOOD AWNING

DESIGN PRESSURE / MINIMUM AND MAXIMUM MEASUREMENTS

Design Pressure Values - Awning						
Call #	24	28	32	36	40	48
	Width					
Height	20	DP 40	DP 40	DP 40	DP 40	DP 40
	24	DP 40	DP 40	DP 40	DP 40	DP 40
	28	DP 40	DP 40	DP 40	DP 40	DP 40
	32	DP 40	DP 40	DP 40	DP 40	DP 40
	36	DP 40	DP 40	DP 40	DP 40	DP 40
	40	DP 40	DP 40	DP 40	DP 40	DP 40
	48	DP 40	DP 40	DP 40	DP 40	DP 40

NOTE:

Design Pressure values represent Pounds Per Square Foot (PSF). Values indicated represent standard units only.
Refer to the Product Performance and Information section for additional information on Design Pressures.

Minimum and Maximum Measurements					
Glazing Type	Minimum RO Width	Minimum RO Height	Maximum RO Width	Maximum RO Height	Maximum RO Square Feet
Operator / Stationary					
Insulated Glass 3/4"	17" (431)	12 15/16" (328)	65" (1651)	64 9/16" (1639)	16.6 Sq. Feet (1.54 Sq. Meters)
Single Glaze	17" (431)	12 15/16" (328)	65" (1651)	64 9/16" (1639)	16.6 Sq. Feet (1.54 Sq. Meters)
Single Glaze with EP	17" (431)	12 15/16" (328)	65" (1651)	64 9/16" (1639)	16.6 Sq. Feet (1.54 Sq. Meters)
Picture					
Insulated Glass 3/4"	11" (279)	12 1/4" (311)	105" (2667)	105" (2667)	25.0 Sq. Feet (2.32 Sq. Meters)
Insulated Glass 1"	11" (279)	12 1/4" (311)	120" (3048)	120" (3048)	49.0 Sq. Feet (4.55 Sq. Meters)
Single Glaze	9 1/2" (241)	10 3/4" (273)	105" (2667)	105" (2667)	38.0 Sq. Feet (3.53 Sq. Meters)
Single Glaze with EP	9 1/2" (241)	10 3/4" (273)	105" (2667)	105" (2667)	25.0 Sq. Feet (2.32 Sq. Meters)

NOTE:

Operating units exceeding call number 4848 are not certified. Oversized units are not certified.

WOOD AWNING

MEASUREMENT CONVERSIONS

Measurement Conversions - Operator / Stationary										
Size Referenced	Daylight Opening		Glass Size		Frame Size Including subsill		Rough Opening		Masonry Opening	
Daylight Opening	Dimension Needed									
			Width	+ 1 1/16" (27)	Width	+ 5 1/2" (140)	Width	+ 6 1/2" (165)	Width	+ 9 1/8" (232)
Glass Size			Height	+ 1 1/16" (27)	Height	+ 7 1/4" (184)	Height	+ 7 3/4" (197)	Height	+ 9 1/16" (230)
	Width	- 1 1/16" (27)			Width	+ 4 7/16" (113)	Width	+ 5 7/16" (138)	Width	+ 8 1/16" (205)
Frame Size (Including Subsill)	Height	- 1 1/16" (27)			Height	+ 6 3/16" (157)	Height	+ 6 11/16" (170)	Height	+ 8" (203)
	Width	- 5 1/2" (140)	Width	- 4 7/16" (113)			Width	+ 1" (25)	Width	+ 3 5/8" (92)
Rough Opening	Height	- 7 1/4" (184)	Height	- 6 3/16" (157)			Height	+ 1/2" (13)	Height	+ 1 13/16" (46)
	Width	- 6 1/2" (165)	Width	- 5 7/16" (140)	Width	- 1" (25)			Width	+ 2 5/8" (67)
Masonry Opening	Height	- 7 3/4" (197)	Height	- 6 11/16" (170)	Height	- 1/2" (13)			Height	+ 1 5/16" (33)
	Width	- 9 1/8" (232)	Width	- 8 1/16" (205)	Width	- 3 5/8" (92)	Width	- 2 5/8" (67)		
	Height	- 9 1/16" (230)	Height	- 8" (203)	Height	- 1 13/16" (46)	Height	- 1 5/16" (6)		

Measurement Conversions - Picture										
Size Referenced	Daylight Opening		Glass Size		Frame Size Including subsill		Rough Opening		Masonry Opening	
Daylight Opening	Dimension Needed									
			Width	+ 1 1/16" (27)	Width	+ 5 1/2" (140)	Width	+ 6 1/2" (165)	Width	+ 9 1/8" (232)
Glass Size			Height	+ 1 1/16" (27)	Height	+ 7 1/4" (184)	Height	+ 7 3/4" (197)	Height	+ 9 1/16" (230)
	Width	- 1 1/16" (27)			Width	+ 4 7/16" (113)	Width	+ 5 7/16" (138)	Width	+ 8 1/16" (205)
Frame Size (Including Subsill)	Height	- 1 1/16" (27)			Height	+ 6 3/16" (157)	Height	+ 6 11/16" (170)	Height	+ 8" (203)
	Width	- 5 1/2" (140)	Width	- 4 7/16" (113)			Width	+ 1" (25)	Width	+ 3 5/8" (92)
Rough Opening	Height	- 7 1/4" (184)	Height	- 6 13/16" (157)			Height	+ 1/2" (13)	Height	+ 1 13/16" (46)
	Width	- 6 1/2" (165)	Width	- 5 7/16" (140)	Width	- 1" (25)			Width	+ 2 5/8" (67)
Masonry Opening	Height	- 7 3/4" (197)	Height	- 6 11/16" (170)	Height	- 1/2" (13)			Height	+ 1 5/16" (33)
	Width	- 9 1/8" (232)	Width	- 8 1/16" (205)	Width	- 3 5/8" (92)	Width	- 2 5/8" (67)		
	Height	- 9 1/16" (230)	Height	- 8" (203)	Height	- 1 13/16" (46)	Height	- 1 5/16" (6)		

NOTE:

Masonry opening conversions are based on units with standard brick mould casing applied, and without dividers. Contact Marvin's for additional conversions.

WOOD AWNING

ELEVATIONS: OPERATOR/STATIONARY

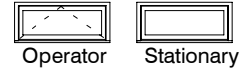
NOT TO SCALE

CAUTION: It is recommended that a minimum of 1/4" be added to the rough opening height when using a rigid sill pan product such as Marvin SillGuard™.

Mas. Opg.	2-3 5/8	(702)	2-7 5/8	(803)	2-11 5/8	(905)	3-3 5/8	(1006)	3-7 5/8	(1108)	4-3 5/8	(1311)
Rgh. Opg.	2-1	(635)	2-5	(737)	2-9	(838)	3-1	(940)	3-5	(1041)	4-1	(1245)
Frame Size	2-0	(610)	2-4	(711)	2-8	(813)	3-0	(914)	3-4	(1016)	4-0	(1219)
Glass Size	19 9/16"	(497)	23 9/16"	(599)	27 9/16"	(700)	31 9/16"	(802)	35 9/16"	(903)	43 9/16"	(1107)

1-9 7/8	(566)						
1-8 9/16	(522)	WAWN2420	WAWN2820	WAWN3220	WAWN3620	WAWN4020	WAWN4820
1-8 1/16	(510)						
1-7 7/8	(454)	WAWN2424	WAWN2824	WAWN3224	WAWN3624	WAWN4024	WAWN4824
2-0 9/16	(624)						
2-0 1/16	(611)	WAWN2428	WAWN2828	WAWN3228	WAWN3628	WAWN4028	WAWN4828
2-1 7/8	(657)						
2-0 9/16	(624)	WAWN2432	WAWN2832	WAWN3232	WAWN3632	WAWN4032	WAWN4832
2-0 1/16	(611)						
1-7 7/8	(556)	WAWN2436	WAWN2836	WAWN3236	WAWN3636	WAWN4036	WAWN4836
2-4 9/16	(726)						
2-4 1/16	(713)	WAWN2440	WAWN2840	WAWN3240	WAWN3640	WAWN4040	WAWN4840
2-1 7/8	(556)						
2-1 7/8	(556)	WAWN2448	WAWN2848	WAWN3248	WAWN3648	WAWN4048	WAWN4848

Operation:



NOTE:

Awning units may not be specified as egress units.

WOOD AWNING

ELEVATIONS: PICTURE

NOT TO SCALE

CAUTION: It is recommended that a minimum of 1/4" be added to the rough opening height when using a rigid sill pan product such as Marvin SillGuard™.

Mas. Opg.	3-7 5/8 (1108)	4-3 5/8 (1311)	4-11 5/8 (1514)	5-3 5/8 (1616)	5-7 5/8 (1718)	6-3 5/8 (1921)
Rgh. Opg.	3-5 (1041)	4-1 (1245)	4-9 (1448)	5-1 (1549)	5-5 (1651)	6-1 (1854)
Frame Size	3-4 (1016)	4-0 (1219)	4-8 (1422)	5-0 (1524)	5-4 (1626)	6-0 (1829)

2-1 7/8 (657) 2-0 9/16 (624) 2-0 1/16 (611)						
	WAWN5624	WAWN6024	WAWN6424	WAWN7224		
2-5 7/8 (759) 2-4 9/16 (726) 2-4 1/16 (713)						
	WAWN5628	WAWN6028	WAWN6428	WAWN7228		
2-9 7/8 (860) 2-8 9/16 (827) 2-8 1/16 (814)						
	WAWN5632	WAWN6032	WAWN6432	WAWN7232		
3-1 7/8 (962) 3-0 9/16 (927) 3-0 1/16 (929)						
	WAWN5636	WAWN6036	WAWN6436	WAWN7236		
3-5 7/8 (1064) 3-4 9/16 (1030) 3-4 1/16 (1018)						
	WAWN5640	WAWN6040	WAWN6440	WAWN7240		
4-1 7/8 (1267) 4-0 9/16 (1234) 4-0 1/16 (1221)						
	WAWN5648	WAWN6048	WAWN6448	WAWN7248		
4-9 7/8 (1470) 4-8 9/16 (1437) 4-8 1/16 (1424)						
	WAWN4056	WAWN4856	WAWN5656	WAWN6056	WAWN6456	WAWN7256
5-1 7/8 (1572) 5-0 9/16 (1538) 5-0 1/16 (1526)						
	WAWN4060	WAWN4860	WAWN5660	WAWN6060	WAWN6460	WAWN7260
5-5 7/8 (1673) 5-4 9/16 (1640) 5-4 1/16 (1627)						
	WAWN4064	WAWN4864	WAWN5664	WAWN6064	WAWN6464	WAWN7264
6-1 7/8 (1876) 6-0 9/16 (1843) 6-0 1/16 (1830)						
	WAWN4072	WAWN4872	WAWN5672	WAWN6072	WAWN6472	WAWN7272

NOTE:

Metric dimensions shown in parenthesis.

Picture units may not be converted to operating units.

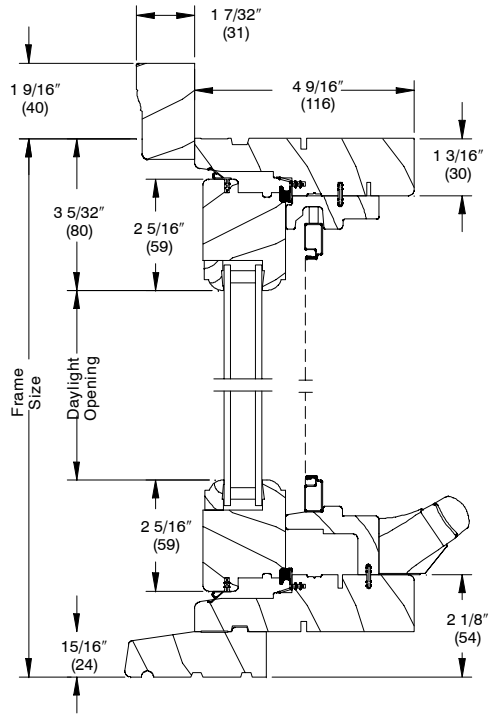
- = Available in 3/4" (19) IG Picture Units
- = Available in 3/4" (19) or 1" (25) IG Picture Units, specify 3/4" (19) or 1" (25)
- = Available in 1" (25) IG Picture Units

WOOD AWNING

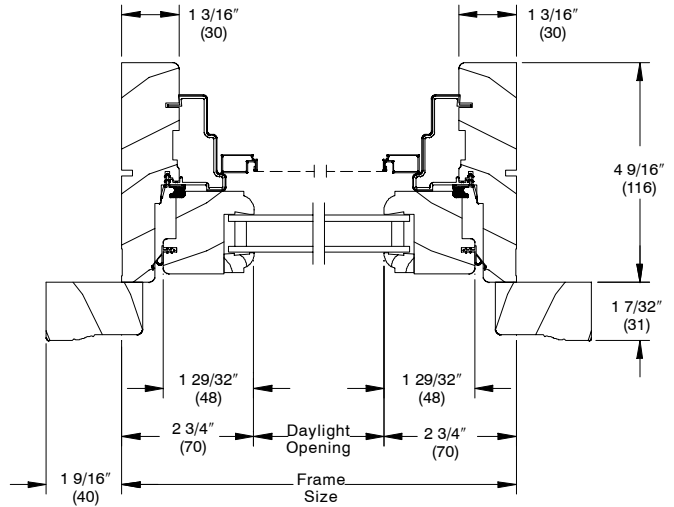
SECTION DETAILS: OPERATING / STATIONARY

SCALE: 3" = 1' 0"

Operating

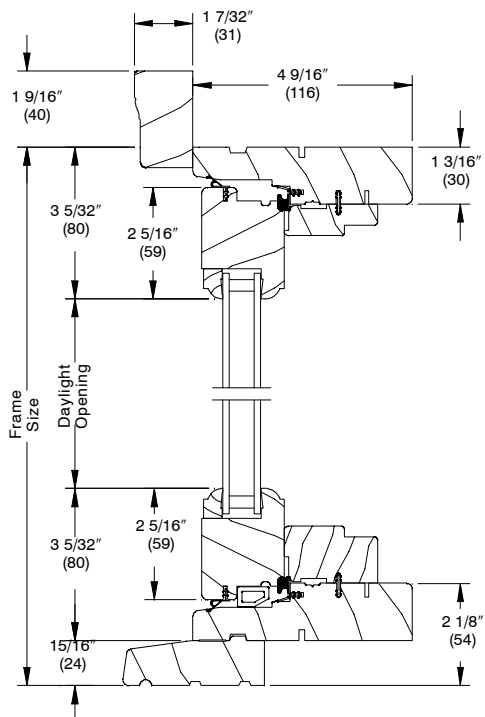


Head Jamb and Sill

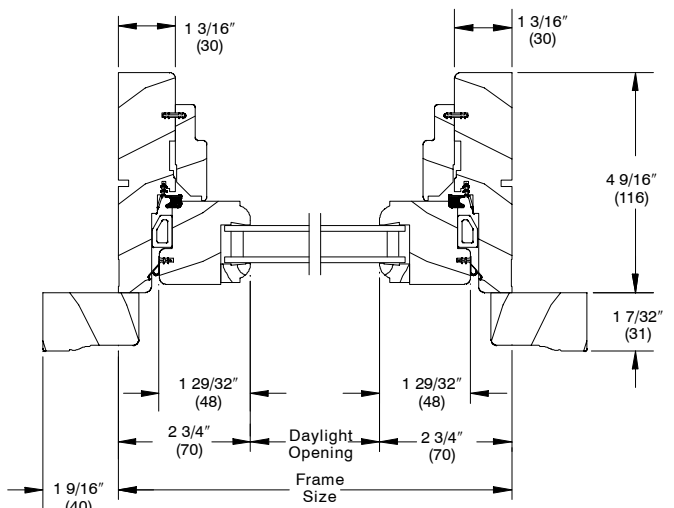


Jambs

Stationary



Head Jamb and Sill



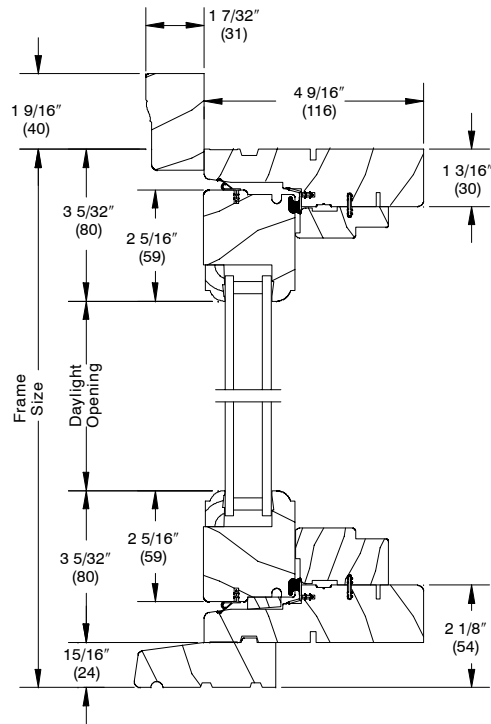
Jambs

WOOD AWNING

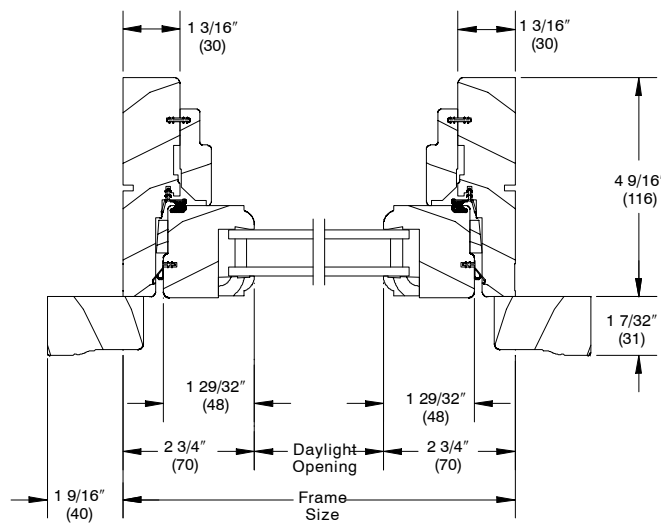
SECTION DETAILS: PICTURE

SCALE: 3" = 1' 0"

Picture



Head Jamb and Sill

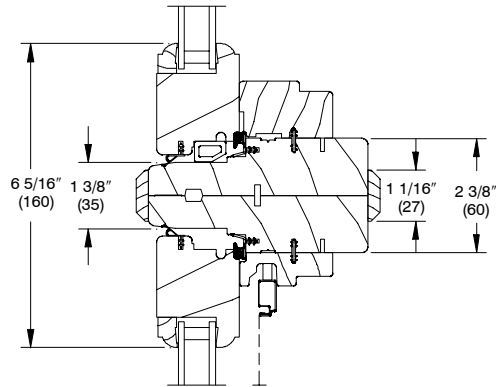


Jambs

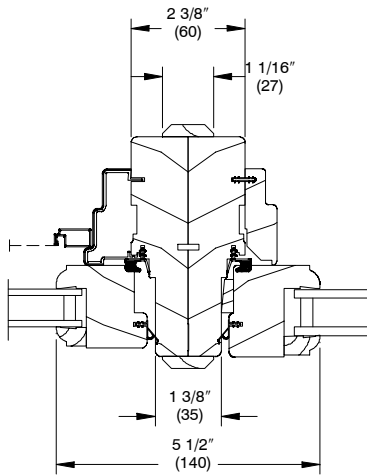
WOOD AWNING

SECTION DETAILS: MULLIONS

SCALE: 3" = 1' 0"

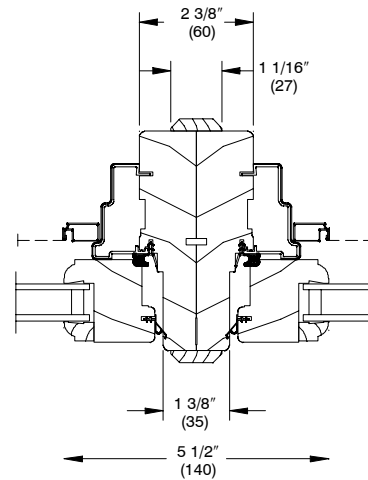


Horizontal Mullion
Stationary / Operator

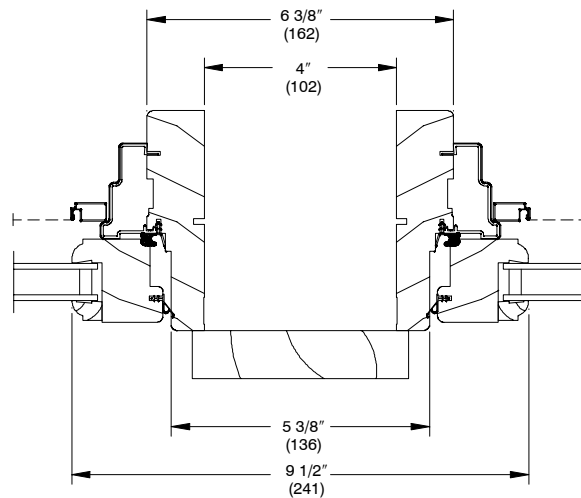


Vertical Mullion
Operator/Picture

NOTE:
Interior trim
supplied by Marvin
applied by others



Vertical Mullion
Operator/Operator



Vertical Mullion
Operator with 4" Space Mull

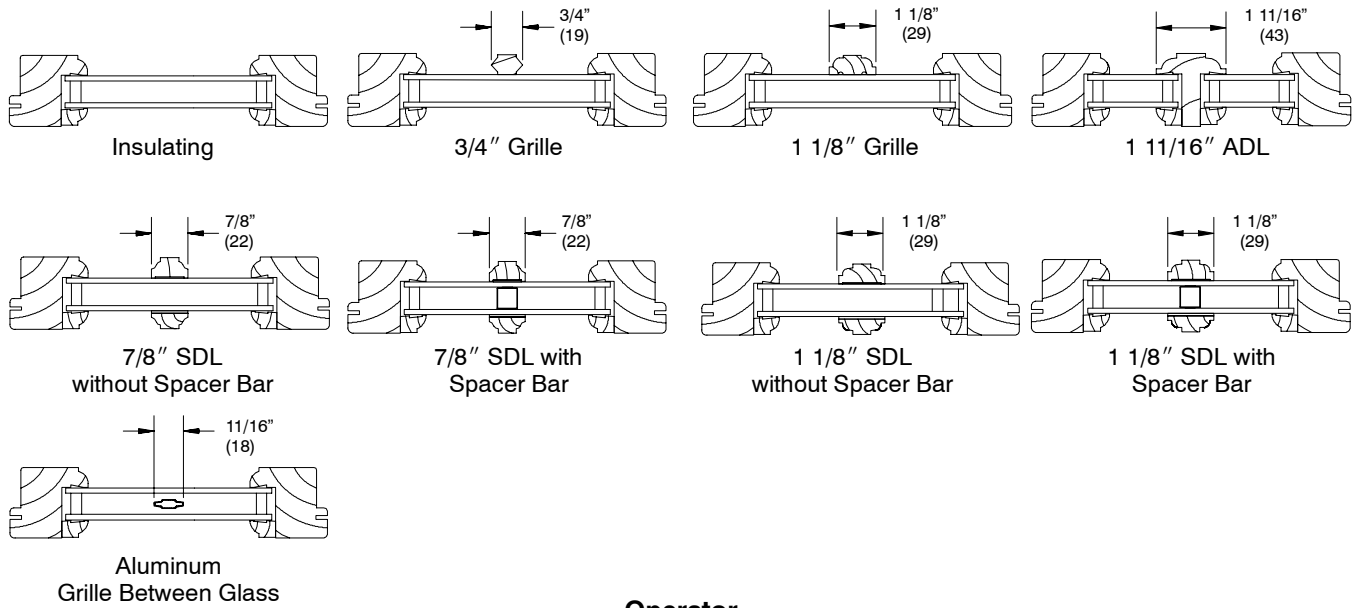
NOTE:
For information on structural mullions
refer to the Product Performance and
Information section.

WOOD AWNING

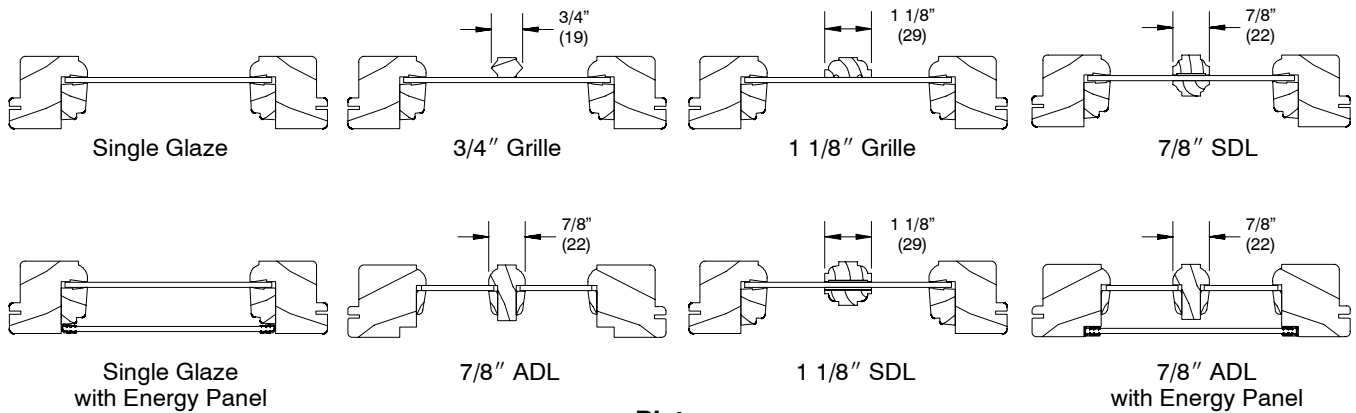
SECTION DETAILS: DIVIDED LITE OPTIONS

NOT TO SCALE

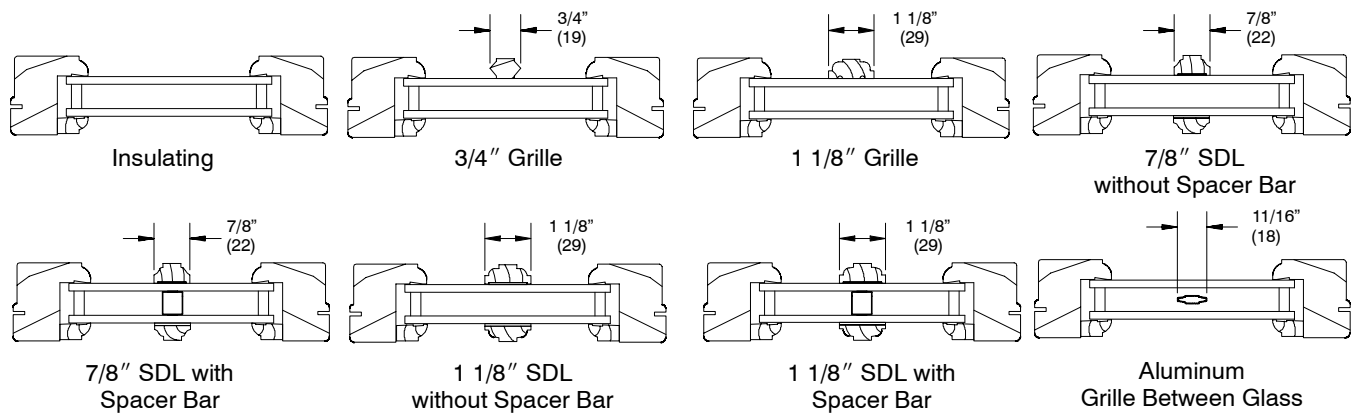
Operator Insulating Glass



Operator Single Glaze



Picture Insulating Glass



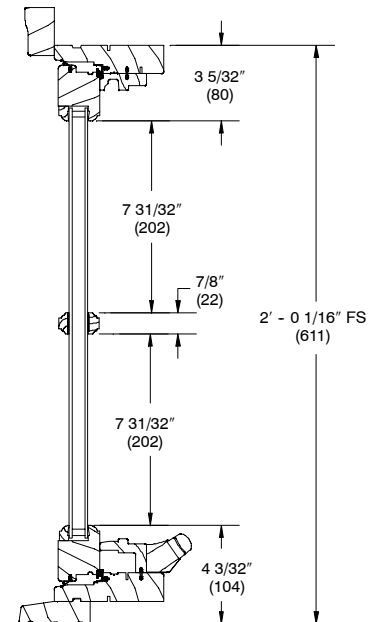
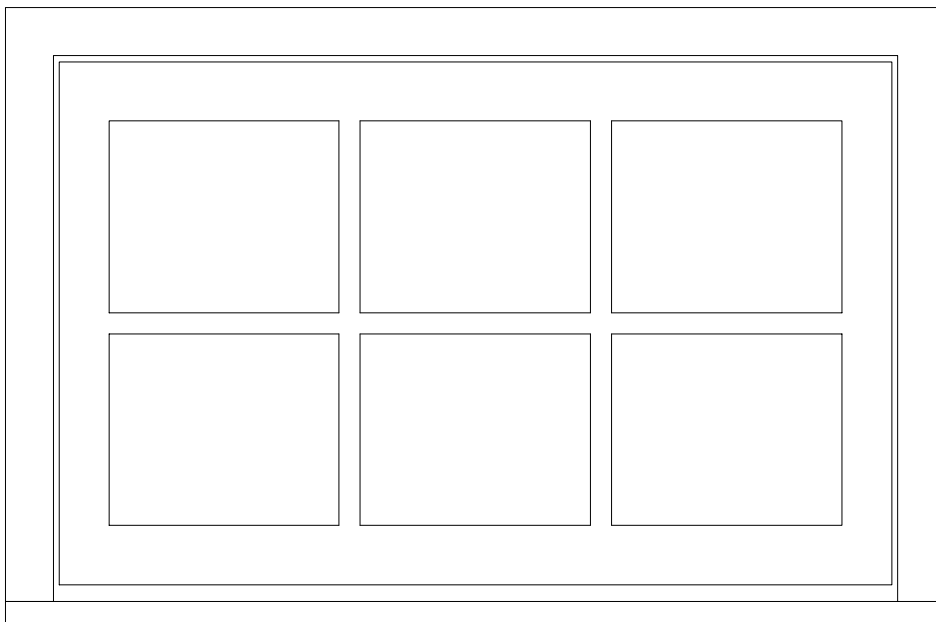
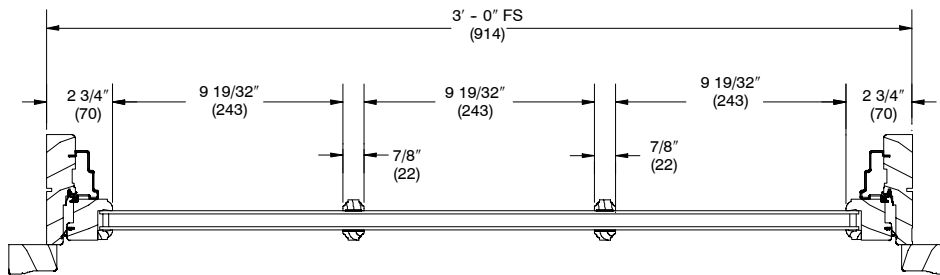
NOTE:

Grille = Removable interior divider
 SDL = Simulated divided lite
 ADL = Authentic divided lite

WOOD AWNING

RECTANGULAR DAYLIGHT OPENING CALCULATIONS

SCALE: 1 1/2" = 1' 0"



Conversion Formula:

$$\frac{\text{DLO} - \text{Total Bar Width}}{\text{Number of Lites}} = \text{Individual DLO}$$

NOTE:

For additional information on individual daylight openings please contact your Marvin representative.

WOOD AWNING

STANDARD RECTANGULAR DIVIDED LITE PATTERNS

NOT TO SCALE

3/4" Grille
7/8" Simulated Divided Lite (SDL)
7/8" Authentic Divided Lite (ADL) single glaze only

1 1/8" Grille
1 1/8" Simulated Divided Lite (SDL)
1 1/16" Authentic Divided Lite (ADL) insulated glass

	2W	3W	3W	3W	4W	4W
2H	WAWN2420	WAWN2820	WAWN3220	WAWN3620	WAWN4020	WAWN4820
2H	WAWN2424	WAWN2824	WAWN3224	WAWN3624	WAWN4024	WAWN4824
2H	WAWN2428	WAWN2828	WAWN3228	WAWN3628	WAWN4028	WAWN4828
2H	WAWN2432	WAWN2832	WAWN3232	WAWN3632	WAWN4032	WAWN4832
2H	WAWN2436	WAWN2836	WAWN3236	WAWN3636	WAWN4036	WAWN4836
3H	WAWN2440	WAWN2840	WAWN3240	WAWN3640	WAWN4040	WAWN4840
3H	WAWN2448	WAWN2848	WAWN3248	WAWN3648	WAWN4048	WAWN4848

	2W	2W	3W	3W	4W	4W
2H	WAWN2420	WAWN2820	WAWN3220	WAWN3620	WAWN4020	WAWN4820
2H	WAWN2424	WAWN2824	WAWN3224	WAWN3624	WAWN4024	WAWN4824
2H	WAWN2428	WAWN2828	WAWN3228	WAWN3628	WAWN4028	WAWN4828
2H	WAWN2432	WAWN2832	WAWN3232	WAWN3632	WAWN4032	WAWN4832
2H	WAWN2436	WAWN2836	WAWN3236	WAWN3636	WAWN4036	WAWN4836
3H	WAWN2440	WAWN2840	WAWN3240	WAWN3640	WAWN4040	WAWN4840
3H	WAWN2448	WAWN2848	WAWN3248	WAWN3648	WAWN4048	WAWN4848

NOTE:



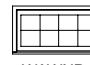
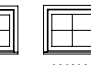
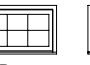



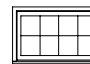
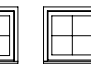
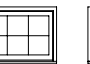



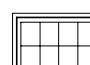

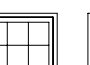
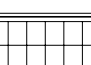


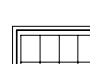








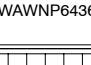


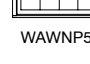
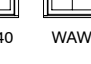
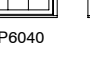
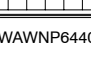



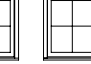
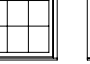

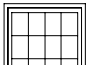
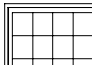
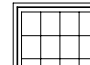
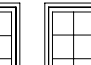
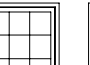
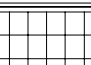
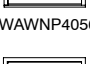
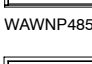
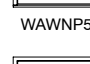
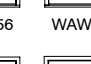
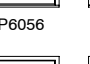
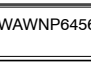
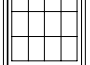
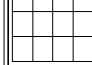

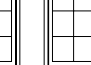
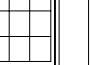
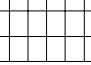
Lite pattern identifications are shown at the top of each column and to the left of each row.
Height patterns indicated as 1H represent a 1 high lite pattern.
Width patterns indicated as 2W represent a 2 wide lite pattern.
Patterns vary depending on size of unit and type of divider.

WOOD AWNING

STANDARD RECTANGULAR DIVIDED LITE PATTERNS

NOT TO SCALE

3/4" Grille
7/8" Simulated Divided Lite (SDL)
7/8" Authentic Divided Lite (ADL) Single glaze only

	4W	4W	5W	5W	6W	7W
2H						
	WAWNP4056	WAWNP4856	WAWNP5624	WAWNP6024	WAWNP6424	WAWNP7224
2H						
	WAWNP4060	WAWNP4860	WAWNP5628	WAWNP6028	WAWNP6428	WAWNP7228
2H						
	WAWNP4064	WAWNP4864	WAWNP5632	WAWNP6032	WAWNP6432	WAWNP7232
2H						
	WAWNP4072	WAWNP4872	WAWNP5636	WAWNP6036	WAWNP6436	WAWNP7236
3H						
	WAWNP4072	WAWNP4872	WAWNP5640	WAWNP6040	WAWNP6440	WAWNP7240
3H						
	WAWNP4072	WAWNP4872	WAWNP5648	WAWNP6048	WAWNP6448	WAWNP7248
4H						
	WAWNP4072	WAWNP4872	WAWNP5656	WAWNP6056	WAWNP6456	WAWNP7256
4H						
	WAWNP4072	WAWNP4872	WAWNP5660	WAWNP6060	WAWNP6460	WAWNP7260
5H						
	WAWNP4072	WAWNP4872	WAWNP5664	WAWNP6064	WAWNP6464	WAWNP7264
5H						
	WAWNP4072	WAWNP4872	WAWNP5672	WAWNP6072	WAWNP6472	WAWNP7272

NOTE:

Lite pattern identifications are shown at the top of each column and to the left of each row.
Height patterns indicated as 1H represent a 1 high lite pattern.
Width patterns indicated as 2W represent a 2 wide lite pattern.
Patterns vary depending on size of unit and type of divider.

WOOD AWNING

STANDARD RECTANGULAR DIVIDED LITE PATTERNS

NOT TO SCALE

- 1 1/8" Grille
- 1 1/8" Simulated Divided Lite (SDL)
- 1 11/16" Authentic Divided Lite (ADL) Insulated glass

		4W	5W	6W	6W		
2H							
		WAWN5624	WAWN6024	WAWN6424	WAWN7224		
2H							
		WAWN5628	WAWN6028	WAWN6428	WAWN7228		
2H							
		WAWN5632	WAWN6032	WAWN6432	WAWN7232		
2H							
		WAWN5636	WAWN6036	WAWN6436	WAWN7236		
3H							
		WAWN5640	WAWN6040	WAWN6440	WAWN7240		
3H							
		WAWN5648	WAWN6048	WAWN6448	WAWN7248		
3H	4W						
		WAWN4056	WAWN4856	WAWN5656	WAWN6056	WAWN6456	WAWN7256
4H							
		WAWN4060	WAWN4860	WAWN5660	WAWN6060	WAWN6460	WAWN7260
4H							
		WAWN4064	WAWN4864	WAWN5664	WAWN6064	WAWN6464	WAWN7264
4H							
		WAWN4072	WAWN4872	WAWN5672	WAWN6072	WAWN6472	WAWN7272

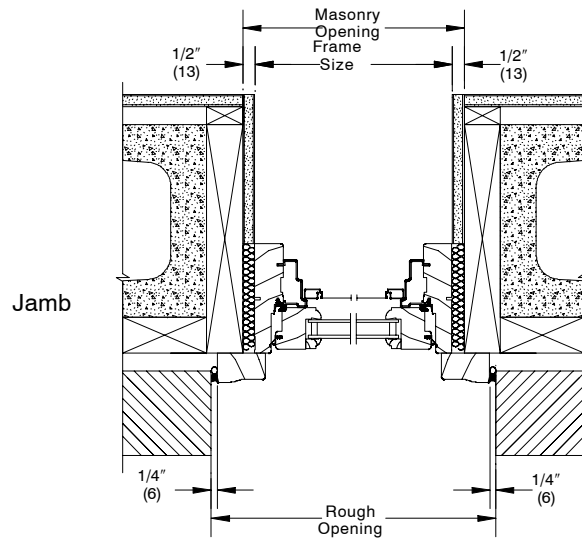
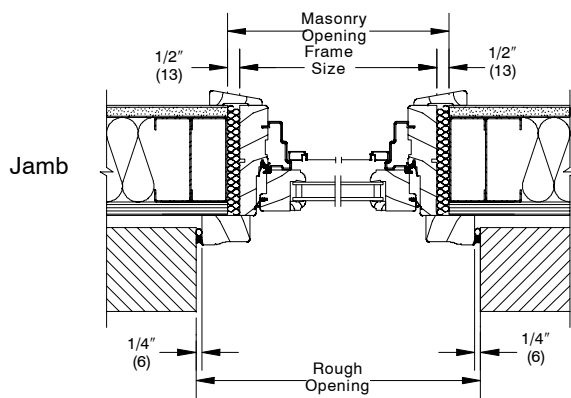
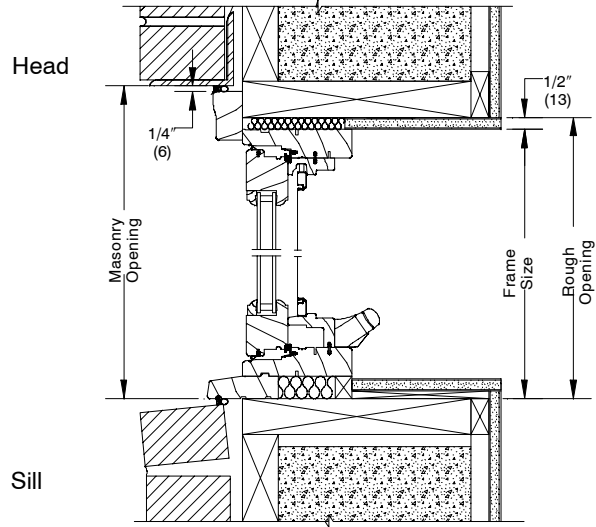
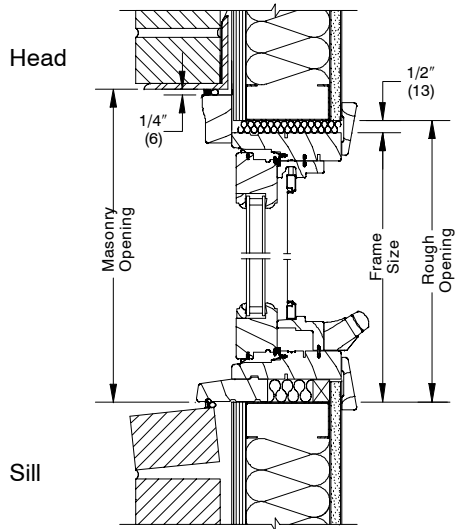
NOTE:

Lite pattern identifications are shown at the top of each column and to the left of each row.
 Height patterns indicated as 1H represent a 1 high lite pattern.
 Width patterns indicated as 2W represent a 2 wide lite pattern.
 Patterns vary depending on size of unit and type of divider.

WOOD AWNING

SECTION DETAILS: CONSTRUCTION

SCALE: 1 1/2" = 1' 0"



Brick Veneer with Steel Stud Construction

Brick Veneer with Concrete Block Construction

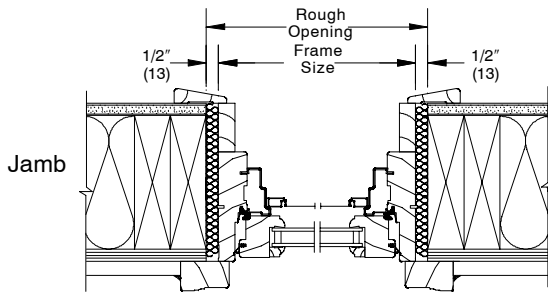
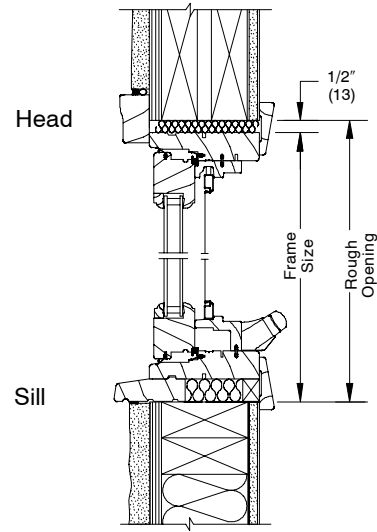
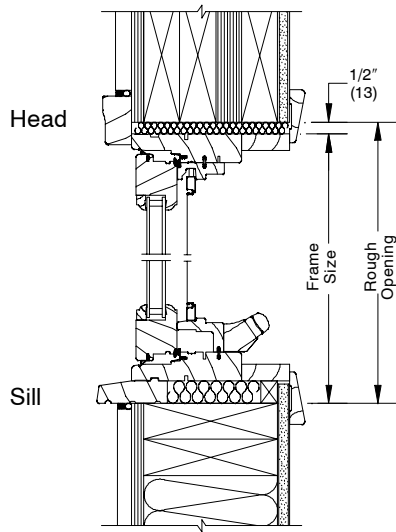
NOTE:

The above wall sections represent typical wall conditions, these details are not intended as installation instructions. Please refer to the installation instructions provided with the purchased units.

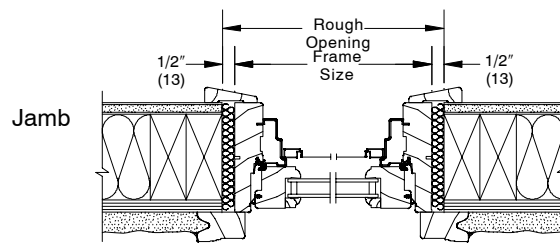
WOOD AWNING

SECTION DETAILS: CONSTRUCTION

SCALE: 1 1/2" = 1' 0"



Wood Siding with 2x6
Frame Construction



Stucco with 2x4
Frame Construction

NOTE:

The above wall sections represent typical wall conditions, these details are not intended as installation instructions. Please refer to the installation instructions provided with the purchased units.